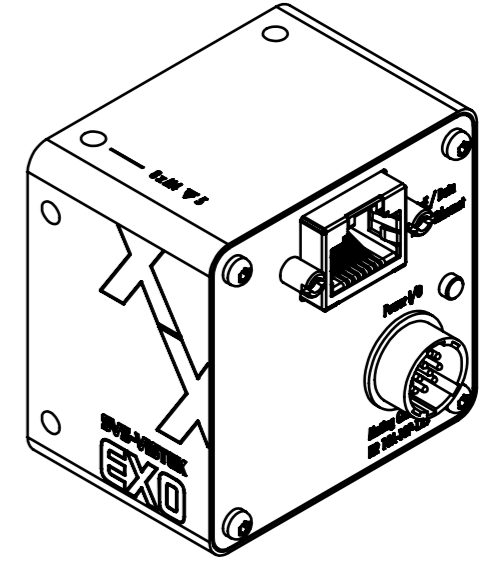
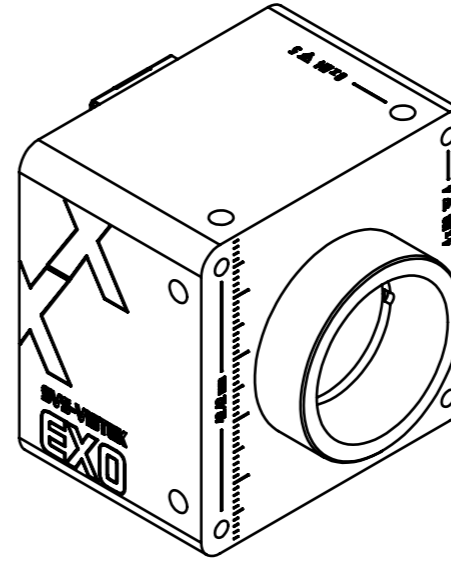
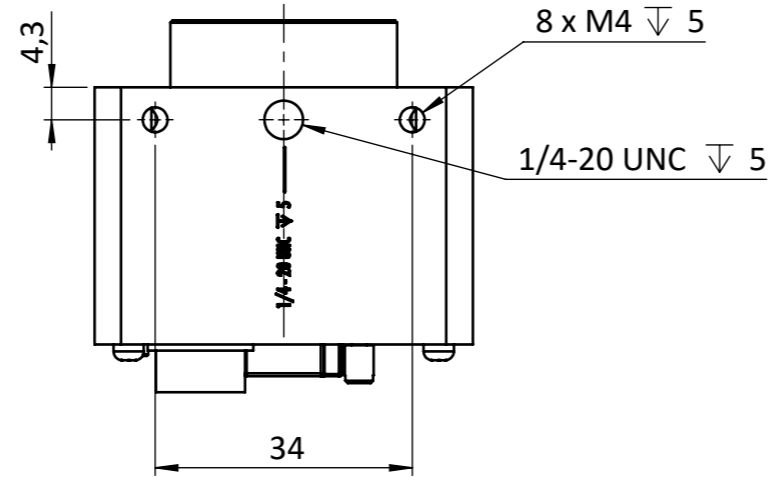
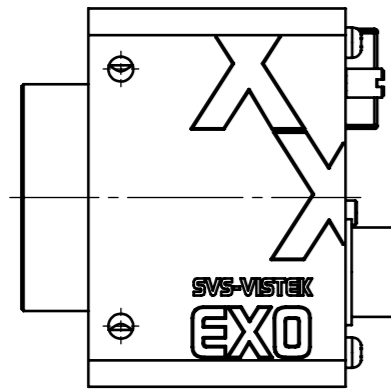


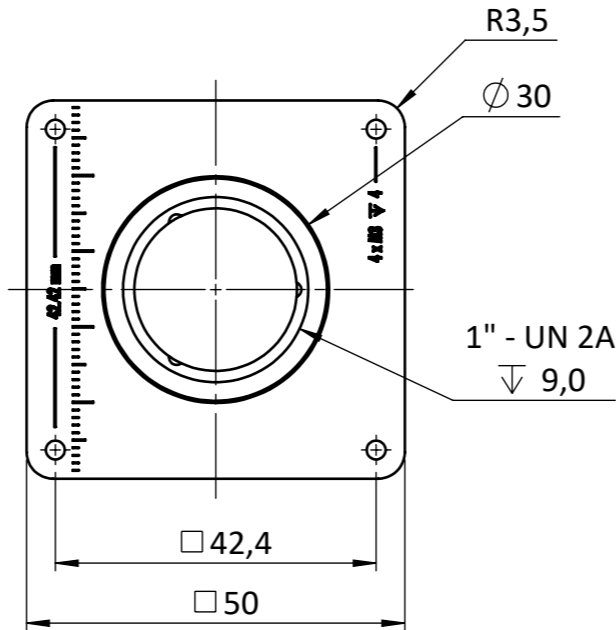
bottom view



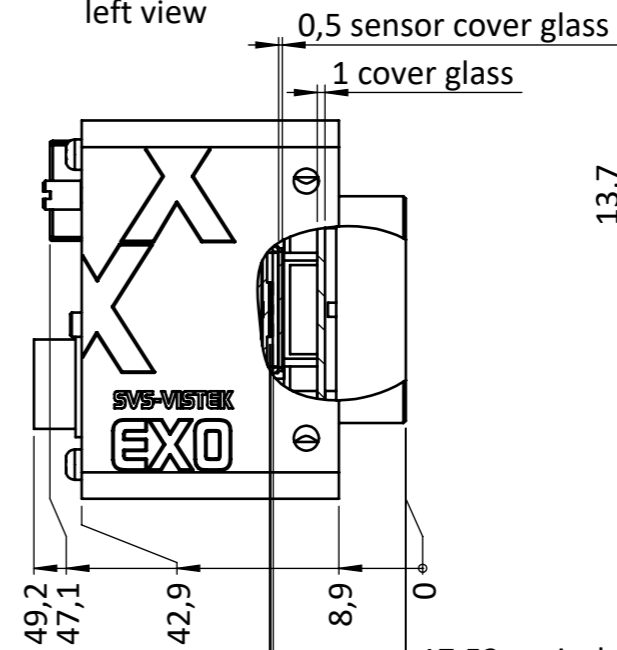
right view



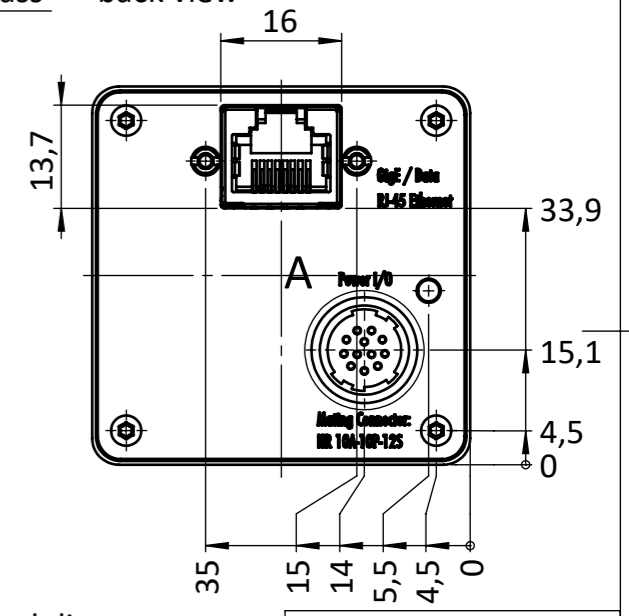
front view



left view



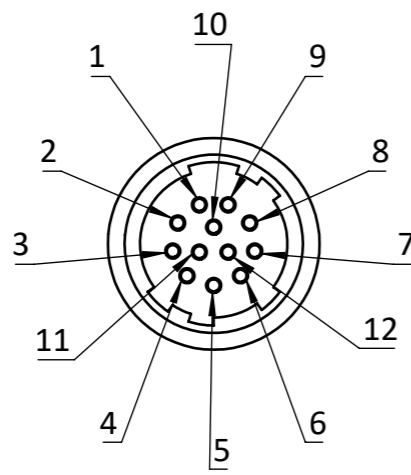
back view



17,53 optical distance  
 17,86 optical backfocus incl. cover glass compensation  
 18,02 mechanical adjustment without compensation

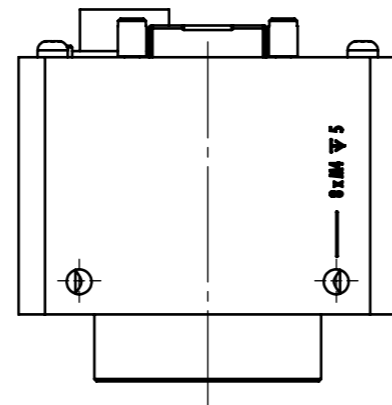
drawing applies to mono and color cameras  
 EXO 174xGE  
 EXO183xGE  
 EXO 428, 429xGE  
 EXO 540, 541, 542xGE  
 EXO546, 547xGE

Hirose Connector



1  
 DETAIL A  
 MAßSTAB 2 : 1

top view



Hirose Pinout EXO, HR (CL Deca, CXP), SHR	
Pin	Signal EXO, HR (CL Deca, CXP), SHR
1	V IN- (GND)
2	V IN+ (10 - 25V)
3	IN 4 Rx D (RS232)
4	OUT 4 Tx D (RS232)
5	IN 1 (0 - 24V)
6	IN 2 (0 - 24V)
7	OUT 1 (open drain)
8	OUT 2 (open drain)
9	IN 3+ (opto IN+)
10	IN 3- (opto IN-)
11	OUT 3 (open drain)
12	OUT 0 (open drain)
	Shielding

		all dimensions in mm unless otherwise specified		Scale: 1:1		Rev.: 1	
Name: S.Seiler Sign.: Date: 03.11.2021		Title: EXO249xGE POE		Customer Interface Drawing			
Drawn: S.Seiler Checked:		Material:		Material No.:		A3	
Weight:		Blatt / Sheet 1 / 1					